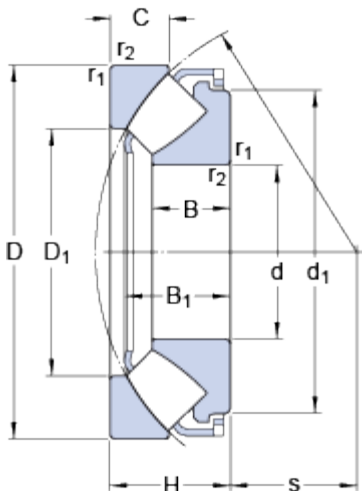


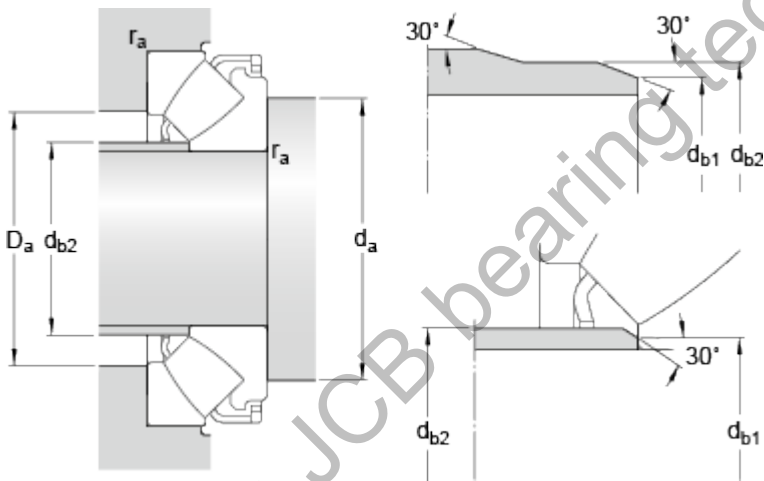
29428

Dimensions



d	140	mm
D	280	mm
H	85	mm
d_1	≈ 245	mm
D_1	≈ 195	mm
B	54	mm
B_1	75.6	mm
C	41	mm
s	86	mm
$r_{1,2}$	min. 4	mm

Abutment dimensions



d_a	min. 205	mm
d_{b1}	max. 153	mm
d_{b2}	max. 162	mm
D_a	max. 236	mm
r_a	max. 3	mm

Calculation data

Basic dynamic load rating	C	1630	kN
Basic static load rating	C_0	4300	kN
Fatigue load limit	P_u	455	kN
Reference speed		1300	r/min
Limiting speed		2400	r/min
Minimum axial load factor	A	1.8	

Mass

Mass bearing		23	kg
--------------	--	----	----